

EL[®]MARK

The Brand of Electricity

OWEN SERIES



GENERAL INFORMATION »

- ∴ Rated voltage: ~230VAC
- ∴ Power: 19W;
- ∴ Power supply: DC device - driver
- ∴ LED: Included
- ∴ Light source: Epistar SMD2835
- ∴ Colour temperature: 2800-3200K
- ∴ Colour rendering index: Ra≥80
- ∴ Switch on/off: >15 000
- ∴ Material: Aluminium + Iron + Acrylic
- ∴ Color of body: Chrome
- ∴ Protection against dust and moisture: IP40

FEATURES »

- ∴ Stylish and impressive design.
- ∴ Good colour and brightness.
- ∴ No ultraviolet and infrared rays
- ∴ Resistant to shock and vibration stable body
- ∴ Environmentally friendly - no mercury and lead
- ∴ Low heat emission

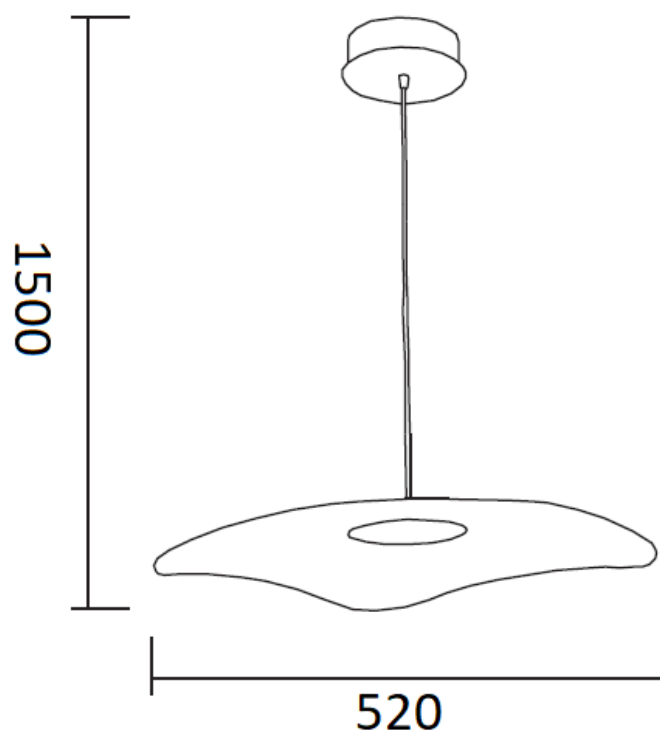
AREAS OF APPLICATION »

- ∴ Suitable for residential lighting, hotels, restaurants, office, commercial lighting and similar environments

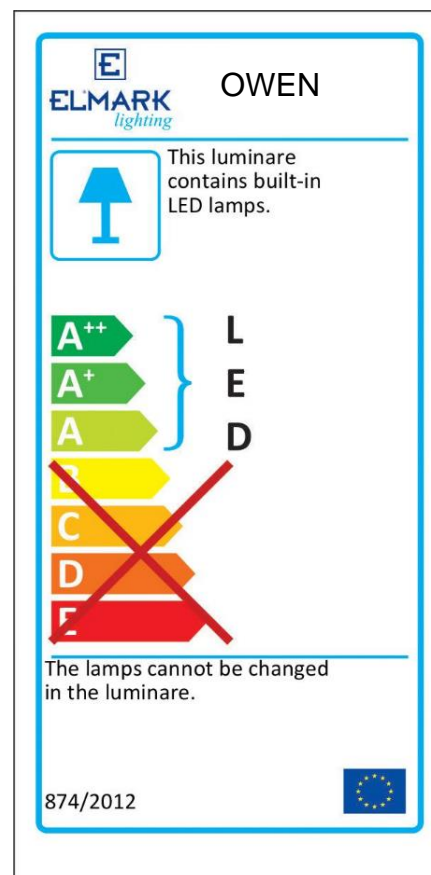
PRODUCT DETAILS »

Catalogue number	Description	Watt (W)	Whole fixture lumens (lm)	Colour temp. (K)	Colour
955OWEN1P	Pendant	19	1330	2800-3200	Chrome

DIMENSIONS »



ADDITIONAL INFORMATION »



Catalogue number	Barcode	Packing/ Box (pcs)
955OWEN1P	3800131229953	1/5

